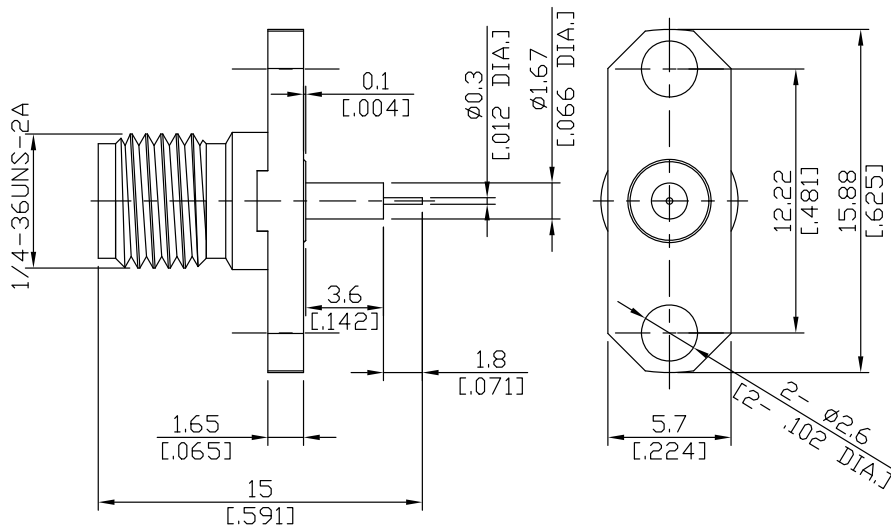
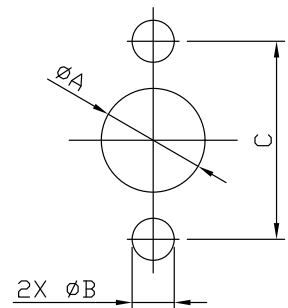


2.92mm Jack (Female) Connector Solder Attachment 2 Hole Flange Mount 0.3mm (.012") Coaxial Terminal, 12.22mm (.481") Hole Spacing DC-40GHz, VSWR 1.20

K2GTA50-1500A / 9X



Mounting Dimension



	mm		inch	
	Max.	Min.	Max.	Min.
A	1.8	1.7	.071	.067
B	2.65	2.6	.104	.102
C	12.25	12.15	.482	.478

All dimensions are in mm [inch]

Tolerances according to DIN ISO 2768-mH

Interface

According to IEC 61169-35; IEEE Std 287
Mechanically compatible with 3.50mm and SMA

Electrical Data

Impedance 50 Ω
Frequency DC to 40 GHz
VSWR (Return Loss) ≤ 1.20 (≥ 20.83 dB)
Insertion Loss ≤ 0.04 × √F (GHz) dB
Insulation Resistance ≥ 5 GΩ
Center contact resistance ≤ 3.0 mΩ
Outer contact resistance ≤ 2.0 mΩ
Test Voltage 750 V rms
Working Voltage (at sea level) 250 V rms
Power Handling ≤ 100 W @ 1 GHz

-VSWR in application depends decisive on PCB layout or cavity design-

Material And Plating

Piece Parts	Material	Plating
Centre contact	Beryllium Copper	Gold plating (Non-magnetic nickel-phosphorus underplating)
Body	Stainless Steel	Passivated
Insulator	PEI & PTFE	

2.92mm Jack (Female) Connector Solder Attachment 2 Hole Flange Mount 0.3mm (.012")
Coaxial Terminal, 12.22mm (.481") Hole Spacing DC-40GHz, VSWR 1.20

K2GTA50-1500A / 9X

Mechanical Data

Coupling mechanisms	Screw-lock
Mating Cycles	≥ 500
Centre Contact	Soldered
Terminal Type	Stub
Captivated Type	Mechanical Captivation
Center contact captivation	≥ 20 N
Coupling test torque	1.70 Nm
Recommended torque	0.80 Nm to 1.10 Nm

Environmental Data

Temperature Range	-65°C to +165°C
Thermal shock	MIL-STD-202, Method 107, Condition B
Corrosion	MIL-STD-202, Method 101, Condition B
Vibration	MIL-STD-202, Method 204, Condition D
Shock	MIL-STD-202, Method 213, Condition I
Moisture Resistance	MIL-STD-202, Method 106
RoHS	compliant

Packing

Single or 100